

### Features:

- Stage monitors, side-fill and P.A. applications.
- Compact size, flat front.
- Plastic exponential horn.
- 25 mm (1") throat.
- 60° x 60° nominal coverage.



### SPECIFICATIONS

Nominal coverage	
Horizontal .....	60 degrees
Vertical .....	60 degrees
Directivity	
Directivity factor (Q) .....	12
Directivity index (Di) .....	11 dB
Sensitivity	
On driver, 1W @ 1m, on axis <sup>1</sup> .....	108 dB SPL
Frequency response @ -6 dB <sup>2</sup> .....	1,500 to 15,000 Hz
Throat diameter .....	25 (1) mm (in)
Minimum recommended crossover <sup>3</sup> .....	1,200 Hz

<sup>1</sup> Measured with DT150 OEM driver, 2,000 - 8,000 Hz average.

<sup>2</sup> Measured with DT150 OEM driver.

<sup>3</sup> With DT150 OEM driver.

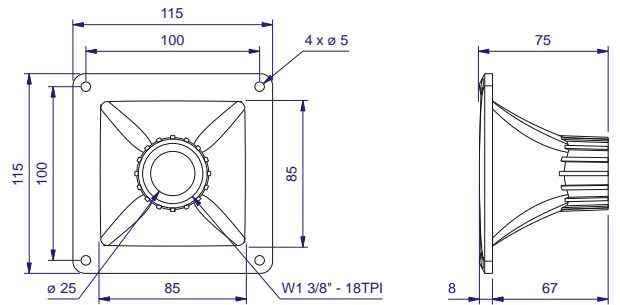
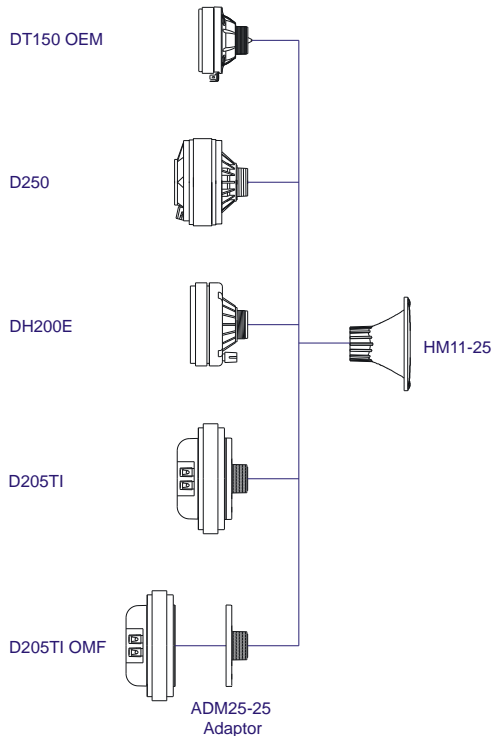
### ADDITIONAL INFORMATION

Horn material .....	ABS plastic
Horn finish .....	Black
Overall dimensions	
Mouth height .....	115 (4.53) mm (in)
Mouth width .....	115 (4.53) mm (in)
Length .....	75 (2.95) mm (in)
Volume displaced by horn .....	0.2 (0.007) l (ft <sup>3</sup> )
Net weight (1 piece) .....	100 (0.22) g (lb)
Gross weight (12 pieces per carton) .....	1,660 (3.66) g (lb)
Carton dimensions (W x D x H) .....	36 x 23 x 13 (14.2 x 9.1 x 5.1) cm (in)

### MOUNTING INFORMATION

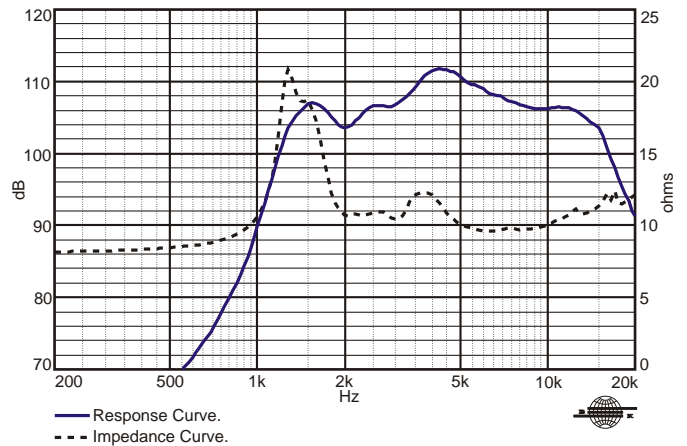
Mechanical connection of driver .....	Screw-on 1 <sup>3</sup> / <sub>8</sub> " - 18 TPI
Baffle cutout dimensions (front mount)	
Horizontal .....	85 (3.35) mm (in)
Vertical .....	85 (3.35) mm (in)

### HORN x DRIVER CONNECTION

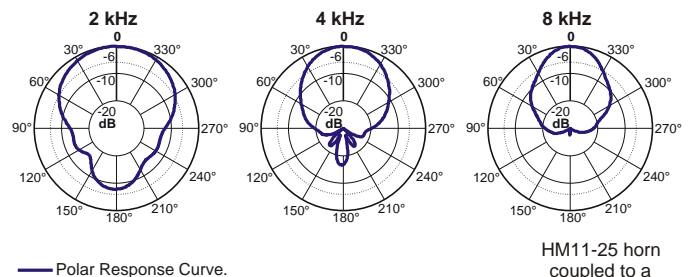


Dimensions in mm.

### RESPONSE AND IMPEDANCE CURVESW/ DT150 OEM DRIVER INSIDE AN ANECHOIC CHAMBER, 1W / 1 m



### POLAR RESPONSE CURVE



HM11-25 horn coupled to a DT150 OEM driver